



# CARRELLO MAXI

**NEW!**



ESPOSTORI e BANCHI  
SHOWCASES and COUNTERS



LINEA LUSO  
LUXURY LINE



BUFFET Gastronomia  
Gastronomy BUFFET



VEVINE: vini, bevande, gelati  
DRINKS: wines, drinks, ice cream



ARMADI refrigerati semi-professionali  
Semi-professional refrigerated  
CABINETS



RISTORAZIONE  
CATERING Equipment



MINIMARKET  
Minimarket



Colore standard  
Standard color



COD. 89

		°C	mm. (LxPxH)	h. max. 100 mm.	Watt	H <sub>2</sub> O				Kg.		
<b>NEW</b> Carrello Maxi		+4/+10	1139x718x1110	GN 1/1 - 2/1 - 1/2 2/3 - 1/3	400	AUT	230v/1/50Hz			80	-	-

Dati di collaudo • Test details • Détails d'essai • Prüfungsergebnisse • Datos de ensayo • MAX = (25°C - % U.R. 60)

Prezzi vedi LISTINO a pagina  
See PRICE LIST on page

20



43



ESPOSTORI e BANCHI  
SHOWCASES and COUNTERS



LINEA LUSO  
LUXURY LINE



BUFFET Gastronomia  
Gastronomy BUFFET



VETRINE: vini, bevande, gelati  
DISPLAY: wines, drinks, ice cream



ARMADI refrigerati semi-professionali  
Semi-professional refrigerated CABINETS



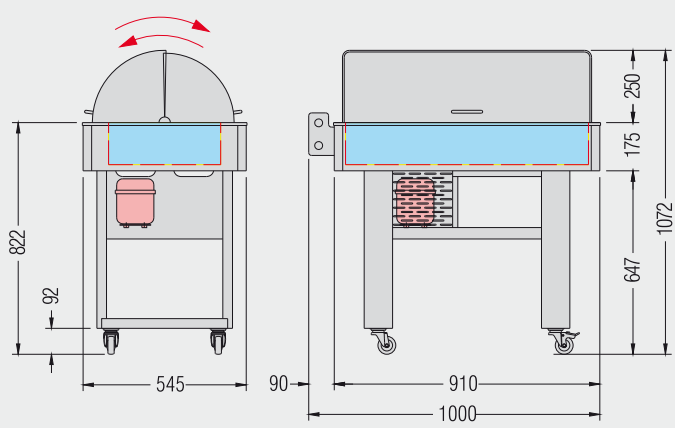
RISTORAZIONE  
CATERING Equipment



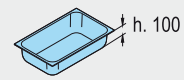
MINIMARKET  
Minimarket



## CARRELLO

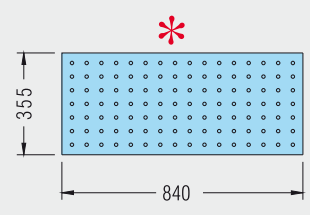
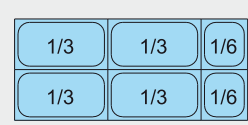
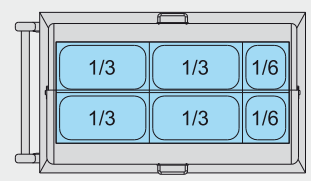


Le bacinelle GN sono fornite a richiesta / GN basins are available on request / Les bacs sont fournis su demande / Die Schalen werden auf Wunsch geliefert / Las cubetera se entregan bajo pedido

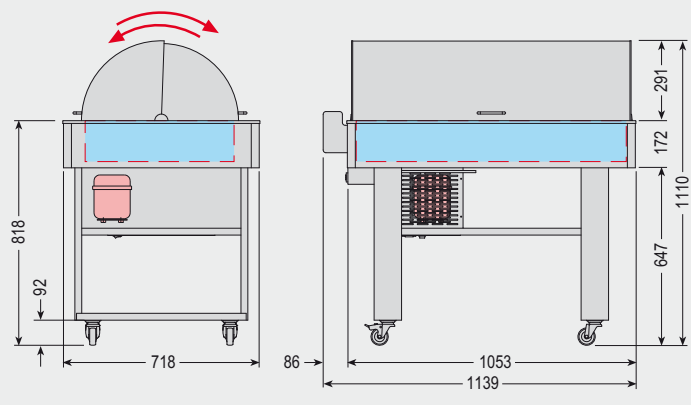


\* Vassoio unico per piatti pronti e pasticceria (fornito a richiesta)  
For ready-to-serve dishes or pastry (supplied on request)  
Plateau pour plats cuisines ou patisserie (fourni sur demande)  
Ein Einziges Tablett für Patisserie oder Fertige Speisen (Lieferbar auf Anfrage)  
Bandeja para platos listos o para pastelerias para llevar (bajo demanda)

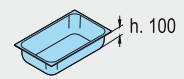
\* Altezza vasca: 125 mm / Height of the basin: 125 mm  
Hauterur du bac: 125 mm / Höhe der Wanne: 125 mm  
Altura de la cuba: 125 mm



## CARRELLO MAXI

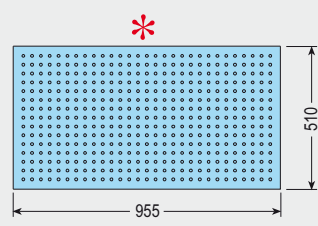
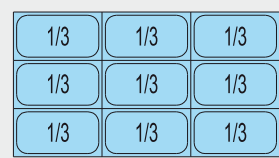
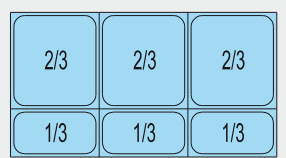
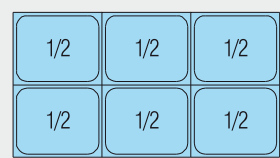
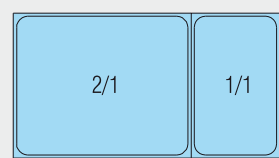
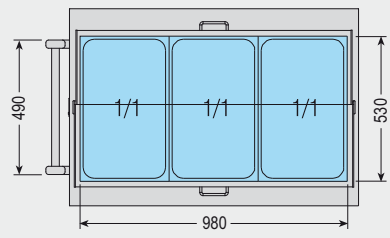


Le bacinelle GN sono fornite a richiesta / GN basins are available on request / Les bacs sont fournis su demande / Die Schalen werden auf Wunsch geliefert / Las cubetera se entregan bajo pedido



\* Vassoio unico per piatti pronti e pasticceria (fornito a richiesta)  
For ready-to-serve dishes or pastry (supplied on request)  
Plateau pour plats cuisines ou patisserie (fourni sur demande)  
Ein Einziges Tablett für Patisserie oder Fertige Speisen (Lieferbar auf Anfrage)  
Bandeja para platos listos o para pastelerias para llevar (bajo demanda)

\* Altezza vasca: 140 mm / Height of the basin: 140 mm  
Hauterur du bac: 140 mm / Höhe der Wanne: 140 mm  
Altura de la cuba: 140 mm





ESPOSTORI e BANCHI  
*SHOWCASES and COUNTERS*



LINEA LUSO  
*LUXURY LINE*



BUFFET Gastronomia  
*Gastronomy BUFFET*



VEFRINE: vini, bevande, gelati  
*DRINKS: wines, drinks, ice cream*



ARMADI refrigerati semi-professionali  
*Semi-professional refrigerated CABINETS*



RISTORAZIONE  
*CATERING Equipment*



MINIMARKET  
*Minimarket*

