



ESPOSTORI e BANCHI
SHOWCASES and COUNTERS



LINEA LUSO
LUXURY-LINE



BUFFET Gastronomia
Gastronomy BUFFET



VETRINE: vini, bevande, gelati
DISPLAY: wines, drinks, ice cream



ARMADI refrigerati semi-professionali
Semi-professional refrigerated CABINETS



RISTORAZIONE
CATERING Equipment



MINIMARKET
Minimarket



CARRELLO



Colore standard
Standard color



COD. 89

		°C	mm. (LxPxH)	h. max. 100 mm.	Watt	H ₂ O				Kg.		
Carrello		+4/+10	1000x545x1072	GN 1/6 - 1/3	400	AUT	230v/1/50Hz		R134a	80	-	-

Dati di collaudo • Test details • Détails d'essai • Prüfungsergebnisse • Datos de ensayo • MAX = (25°C - % U.R. 60)





ESPOSTORI e BANCHI
SHOWCASES and COUNTERS



LINEA LUSO
LUXURY LINE



BUFFET Gastronomia
Gastronomy BUFFET



VETRINE: vini, bevande, gelati
DISPLAY: wines, drinks, ice cream



ARMADI refrigerati semi-professionali
Semi-professional refrigerated CABINETS



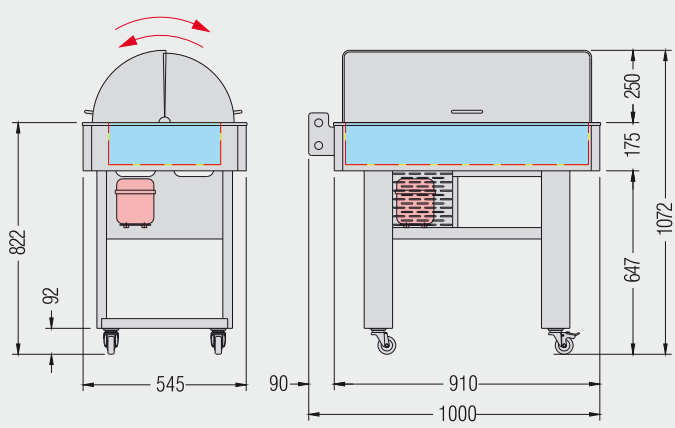
RISTORAZIONE
CATERING Equipment



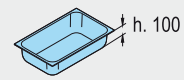
MINIMARKET
Minimarket



CARRELLO

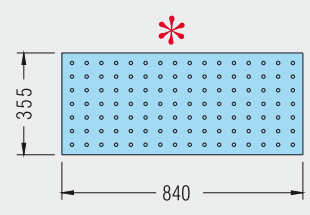
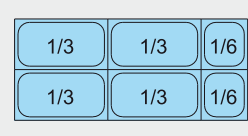
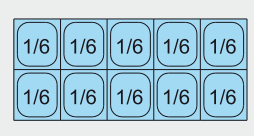
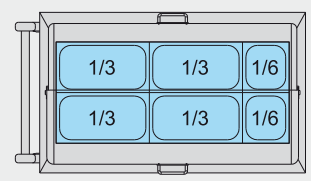


Le bacinelle GN sono fornite a richiesta / GN basins are available on request / Les bacs sont fournis su demande / Die Schalen werden auf Wunsch geliefert / Las cubetera se entregan bajo pedido

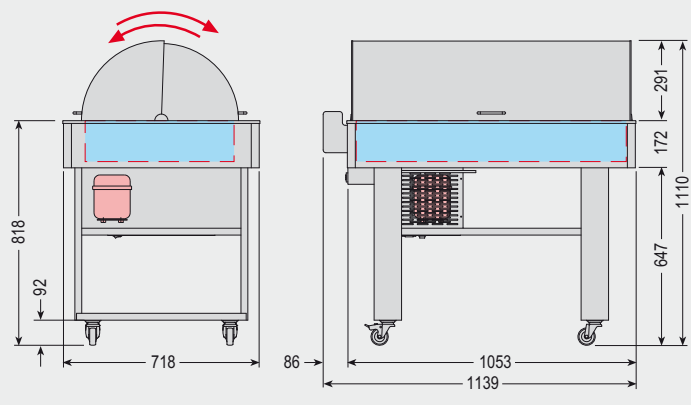


* Vassoio unico per piatti pronti e pasticceria (fornito a richiesta)
For ready-to-serve dishes or pastry (supplied on request)
Plateau pour plats cuisines ou patisserie (fourni sur demande)
Ein Einziges Tablett für Patisserie oder Fertige Speisen (Lieferbar auf Anfrage)
Bandeja para platos listos o para pastelerias para llevar (bajo demanda)

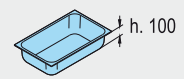
* Altezza vasca: 125 mm / Height of the basin: 125 mm
Hauterur du bac: 125 mm / Höhe der Wanne: 125 mm
Altura de la cuba: 125 mm



CARRELLO MAXI

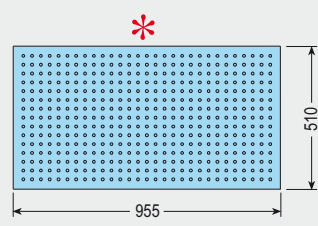
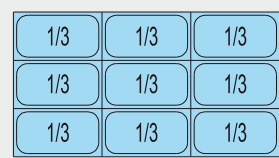
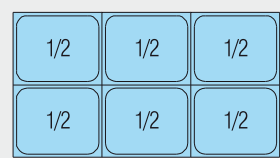
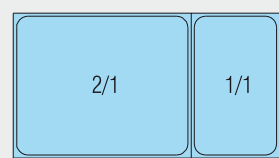
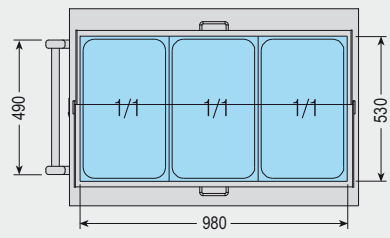


Le bacinelle GN sono fornite a richiesta / GN basins are available on request / Les bacs sont fournis su demande / Die Schalen werden auf Wunsch geliefert / Las cubetera se entregan bajo pedido



* Vassoio unico per piatti pronti e pasticceria (fornito a richiesta)
For ready-to-serve dishes or pastry (supplied on request)
Plateau pour plats cuisines ou patisserie (fourni sur demande)
Ein Einziges Tablett für Patisserie oder Fertige Speisen (Lieferbar auf Anfrage)
Bandeja para platos listos o para pastelerias para llevar (bajo demanda)

* Altezza vasca: 140 mm / Height of the basin: 140 mm
Hauterur du bac: 140 mm / Höhe der Wanne: 140 mm
Altura de la cuba: 140 mm





ESPOSTORI e BANCHI
SHOWCASES and COUNTERS



LINEA LUSO
LUXURY LINE



BUFFET Gastronomia
Gastronomy BUFFET



VEFRINE: vini, bevande, gelati
DRINKS: wines, drinks, ice cream



ARMADI refrigerati semi-professionali
Semi-professional refrigerated CABINETS



RISTORAZIONE
CATERING Equipment



MINIMARKET
Minimarket

