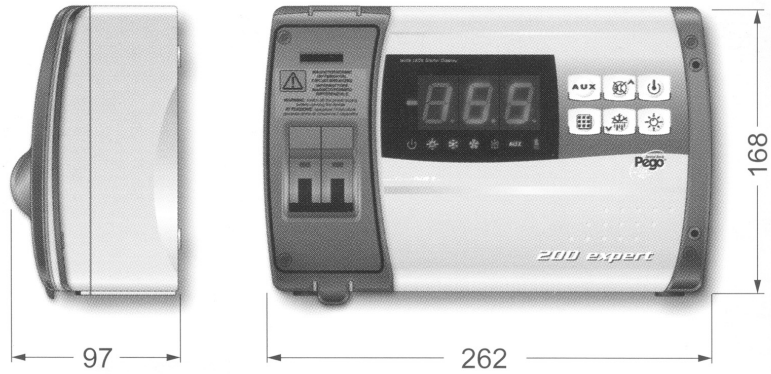
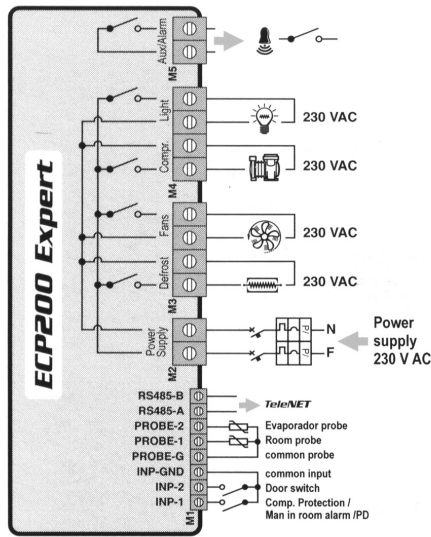


ECP200 EXPERT



TECHNICAL CHARACTERISTICS	ECP200 Expert
Power supply	
Voltage	230 V AC ± 10% 50/60 Hz
Max absorbed power (electronic control)	~ 7 VA
Ambient conditions	
Working temperature	-5 - +50°C
Storage temperature	-30 - +70°C
Relative humidity	< 90% Hr
General characteristics	
Connectable sensor types	NTC 10K 1%
Resolution	0,1 °C
Probe read precision	± 0,5 °C
Read range	-45...+45 °C
Output characteristics - max applicable load (230 V AC)	
Compressor	1500 W (AC3)
Defrost	3000 W (AC1)
Fans	500 W (AC3)
Room light	800 W (AC1)
Configurable alarm contact / Aux (voltage-free contact)	100 W
General electric protection	
Bipolar differential magnetothermic circuit breaker	16A Id = 300 mA Switching power 4.5 kA Id = 30 mA (on request)
Insulation and mechanical characteristics	
Box Protection rating	IP 65
Box material	self-extinguishing ABS
Type of insulation	Class II